

Series CH01

0821201004

Series CH01

■ $Q_n = [[38] \text{ l/min}] \dots [[2800] \text{ l/min}]$



Technical data

Industry
Industrial

Working pressure min.
0 bar

Working pressure max
10 bar

Min. ambient temperature
0 °C

Max. ambient temperature
80 °C

Min. medium temperature
0 °C

Max. medium temperature
80 °C

Port 1
G 1/8

Port 2
G 1/8

Medium

Compressed air

Compressed air connection type 2
Internal thread

Compressed air connection type
Internal thread

Throttle bore Ø
2 mm

Flow Q_n
140 l/min

Weight
0.035 kg

Housing material
Aluminum

Surface housing
anodized

Seal material
Acrylonitrile butadiene rubber

Material flow control screw
Steel
Surface flow control screw
galvanized

Part No.
0821201004

Technical information

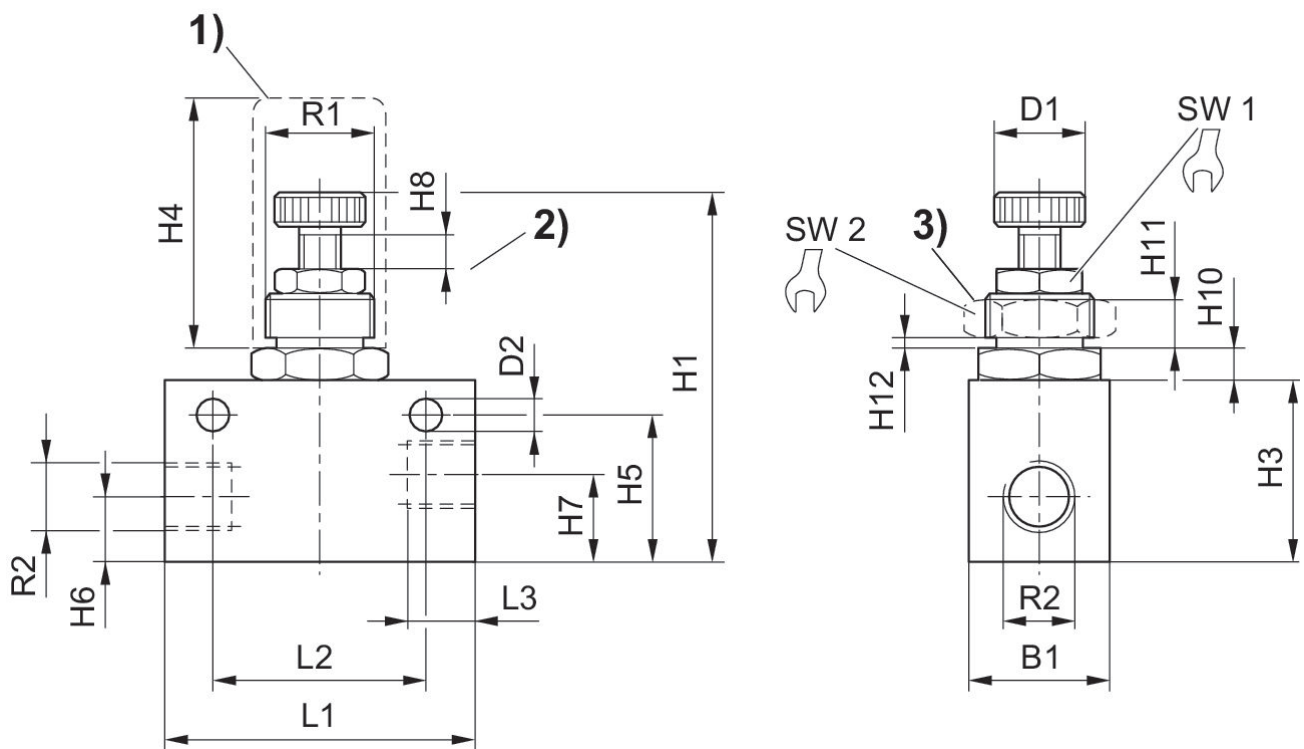
The min. control pressure must be adhered to, since otherwise faulty switching and valve failure may result!

The pressure dew point must be at least 15 °C under ambient and medium temperature and may not exceed 3 °C .

The oil content of compressed air must remain constant during the life cycle.

Use only the approved oils from AVENTICS. Further information can be found in the “Technical information” document (available in <https://www.emerson.com/en-us/support>).

Fig. 1



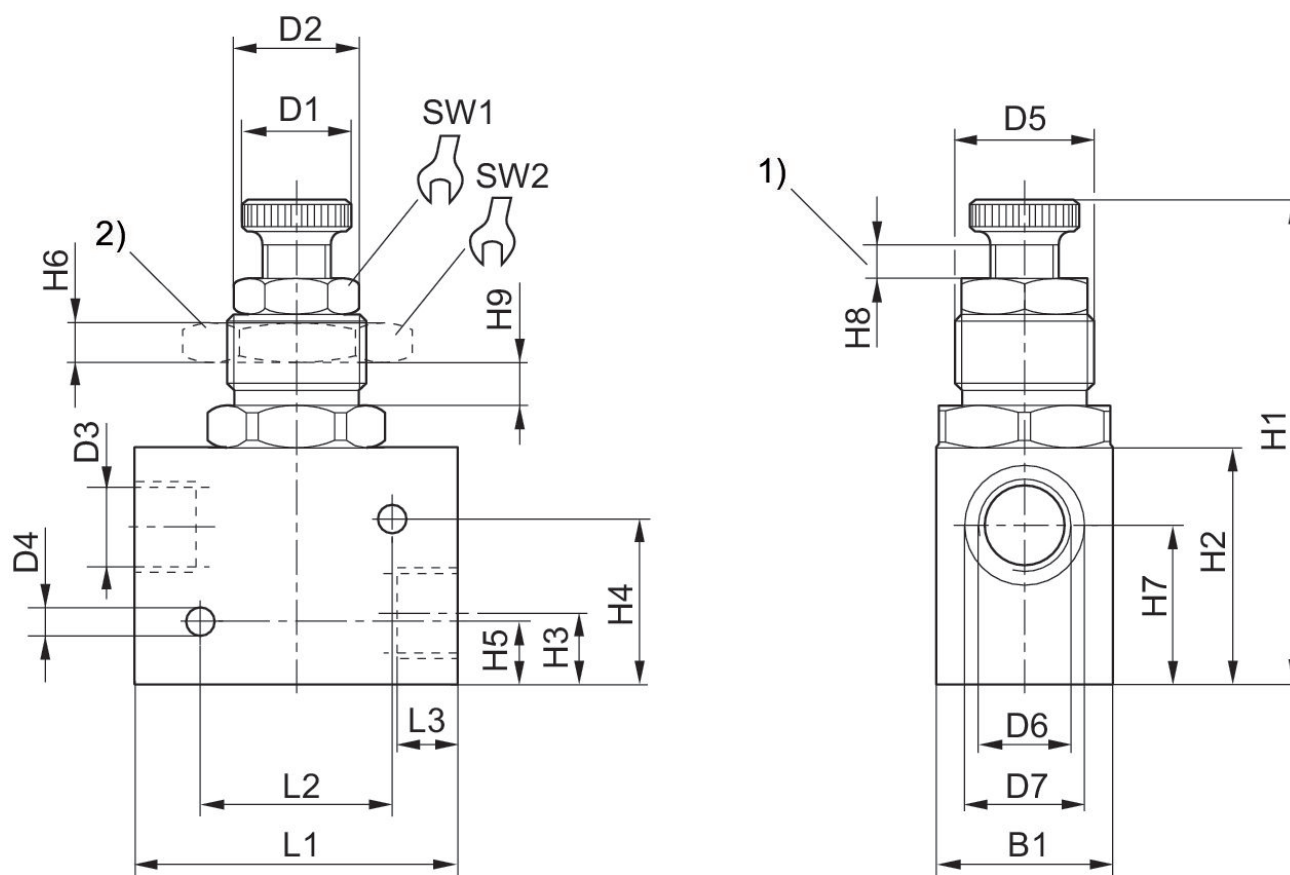
1) protective cap 2) throttle setting range 3) nut for control panel installation

Part No.	Port G	R1	R2	B1	D1	D2	H1	H3	H4
0821201010	G 1/8	M12x1	G 1/8	16	9,8	4,5	56	20	35
0821201004	G 1/8	M12x1	G 1/8	16	9,8	4,5	56	20	35
0821201011	G 1/4	M20x1,5	G 1/4	25	15	5,5	70	32	40

Part No.	H5	H6	H7	H8	H10	H11	H12	L1	L2
0821201010	16.5	8	8	4	4,2	4	0	35	25
0821201004	16.5	8	8	4	4,2	4	0	35	25
0821201011	26	11	15	5	5.5	6	0	55	38

Part No.	L3	SW1	SW2
0821201010	8	10	17
0821201004	8	10	17
0821201011	12	13	24

Fig. 2



1) throttle setting range 2) nut for control panel installation

Part No.	Port G	D1	D2	D3	D4	D5	D6	D7	B1
0821201006	G 1/2	27	27,5	19	6,5	M32x1,5	G1/2	27	40

Part No.	H1	H2	H3	H4	H5	H6	H7	H8	H9
0821201006	120	50	17	40.5	15.5	9	38	8	9

Part No.	L1	L2	L3	SW1	SW2
0821201006	75.3	45	14	24	46