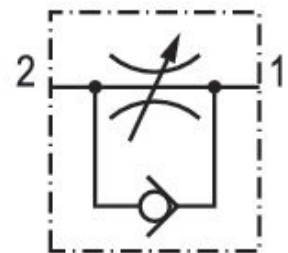


Check-choke valve, Series CC04

0821200192

Series CC04

■ $Q_n = [[70] \text{ l/min}] \dots [[1950] \text{ l/min}]$



Technical data

Industry
Industrial

Port 1
 $\varnothing 4$

Port 2
G 1/8

Throttle bore \varnothing
3 mm

direction of throttle
 $2 > 1$

Nominal flow Q_n 2 to 1
360 l/min

Compressed air connection type 1
push-in fitting

Compressed air connection type 2
External thread

Throttle
Exhaust Air Throttling

Medium
Compressed air

Working pressure min.
0.5 bar

Working pressure max
10 bar

Min. ambient temperature
 $-10\text{ }^{\circ}\text{C}$

Max. ambient temperature
 $70\text{ }^{\circ}\text{C}$

Min. medium temperature
 $-10\text{ }^{\circ}\text{C}$

Max. medium temperature
 $70\text{ }^{\circ}\text{C}$

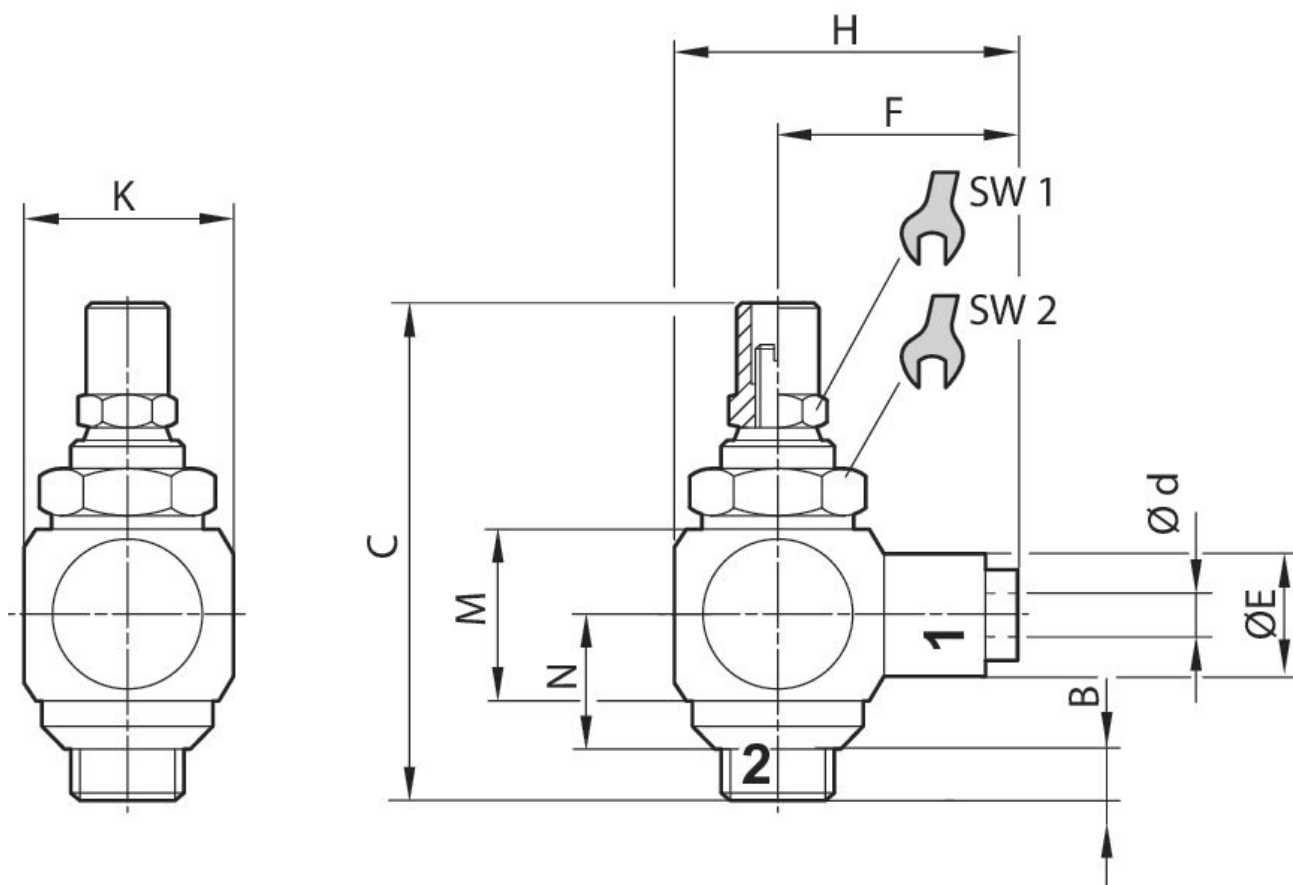
Material

Housing material
Polyamide
Material flow control screw
Brass

Seal material
Acrylonitrile butadiene rubber
Part No.
0821200192

Technical information

Dimensions



1) Valve body with ID mark for inlet throttling 2) Plastic seal

Part No.	Port 1	Port 2	B	C	Ød	ØE	F	H	K
0821200192	Ø 4	G 1/8	6.5	45	4	11	23	30.5	10
0821200194	Ø 6	G 1/8	6.5	45	6	13	23	30.5	10
0821200196	Ø 6	G 1/4	9	51.5	6	13	25.5	35.5	20

Part No.	M	N	SW1	SW2
0821200192	16	9.5	7	13
0821200194	16	9.5	7	13
0821200196	16	10.5	10	16