

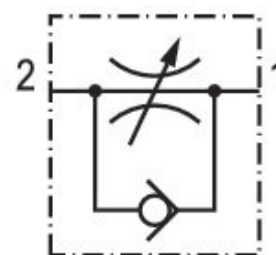
Check-choke valve, Series CC02-AL

0821200184

General series information

AVENTICS Series CC02 Check-choke valves

- The AVENTICS Series CC check-choke valves are designed for nominal flows from 50 to 1960 l/min. The different versions are available with a push-in fitting or internal thread.



Technical data

Industry

Industrial

Port 1

Ø 6x1

Port 2

G 3/8

Throttle bore Ø

6.6 mm

direction of throttle

2 > 1

Nominal flow Q_n 2 to 1

900 l/min

Compressed air connection type 1

plug-in with tube nut

Compressed air connection type 2

External thread

Throttle

Exhaust Air Throttling

Medium

Compressed air

Working pressure min.

0.5 bar

Working pressure max

10 bar

Min. ambient temperature

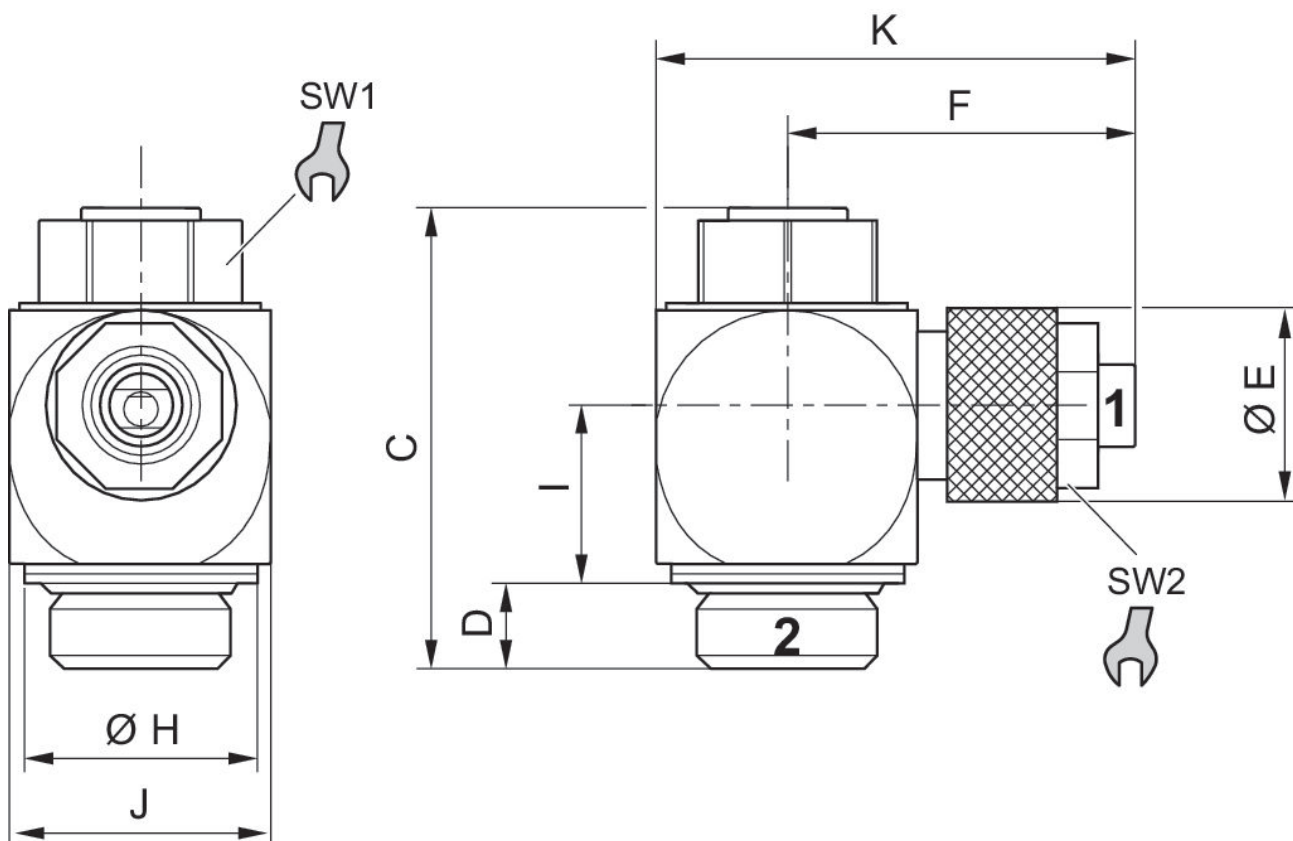
-10 °C

Max. ambient temperature 70 °C
Min. medium temperature -10 °C
Max. medium temperature 70 °C

Material

Housing material Aluminum, anodized
Material flow control screw Brass
Seal material Acrylonitrile butadiene rubber
Part No. 0821200184

Dimensions



| Part No. | Port 1 | Port 2 | C | D | ØE | F | ØH | I | J |
|------------|---------|--------|------|-----|----|------|-----|------|----|
| 0821200117 | Ø 3x0,6 | M5 | 21.8 | 4.1 | 10 | 16 | 8.5 | 7.4 | 10 |
| R412026121 | Ø 3x1 | M5 | 21.8 | 4.1 | 10 | 16 | 8.5 | 7.4 | 10 |
| R412026120 | Ø 4x1 | M5 | 21.8 | 4.1 | 10 | 16 | 8.5 | 7.4 | 10 |
| R412026119 | Ø 4x1 | G 1/8 | 28.5 | 5.5 | 10 | 20 | 14 | 10.5 | 15 |
| R412004775 | Ø 6x1 | G 1/8 | 28.5 | 5.5 | 14 | 23.8 | 14 | 10.5 | 15 |
| 0821200181 | Ø 6x1 | G 1/4 | 33.6 | 6.2 | 8 | 24.3 | 17 | 13 | 19 |

| Part No. | Port 1 | Port 2 | C | D | ØE | F | ØH | I | J |
|------------|---------|--------|------|-----|----|------|----|------|----|
| R412004776 | Ø 6x1 | G 1/4 | 33.6 | 6.2 | 12 | 25.5 | 17 | 13 | 19 |
| 0821200184 | Ø 4x1 | G 3/8 | 41 | 7.2 | 14 | 27.6 | 22 | 15.2 | 24 |
| 0821200185 | Ø 9x1,5 | G 3/8 | 41 | 7.2 | 17 | 28.2 | 22 | 16.3 | 24 |

| Part No. | K | SW1 | SW2 |
|------------|------|-----|-----|
| 0821200117 | 21.5 | 7 | 8 |
| R412026121 | 21.5 | 7 | 8 |
| R412026120 | 22 | 7 | 8 |
| R412026119 | 28 | 10 | 8 |
| R412004775 | 31.8 | 10 | 12 |
| 0821200181 | 31.6 | 13 | 8 |
| R412004776 | 35.1 | 13 | 12 |
| 0821200184 | 39.6 | 16 | 12 |
| 0821200185 | 40.2 | 16 | 15 |