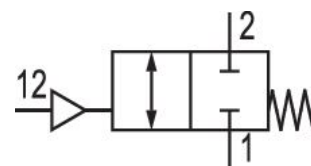


Stop valve

0821003076

Shut-off valves

- $Q_n = [[340] \text{ l/min}] \dots [[680] \text{ l/min}]$



Technical data

Industry
Industrial

Mounting
thread-in

Type
Poppet valve

Medium
Compressed air

Compressed air connection 1
G 1/4

Compressed air connection type 1
Internal thread

Compressed air connection 2
G 1/4

Compressed air connection type 2
External thread

Port 12
G 1/4

Min. ambient temperature
-20 °C

Max. ambient temperature
80 °C

Min. medium temperature
-20 °C

Max. medium temperature
80 °C

Working pressure min.
2 bar

Working pressure max
10 bar

Nominal flow Q_n 2 to 1
680 l/min

Weight
0.103 kg

Material

Housing material
Brass

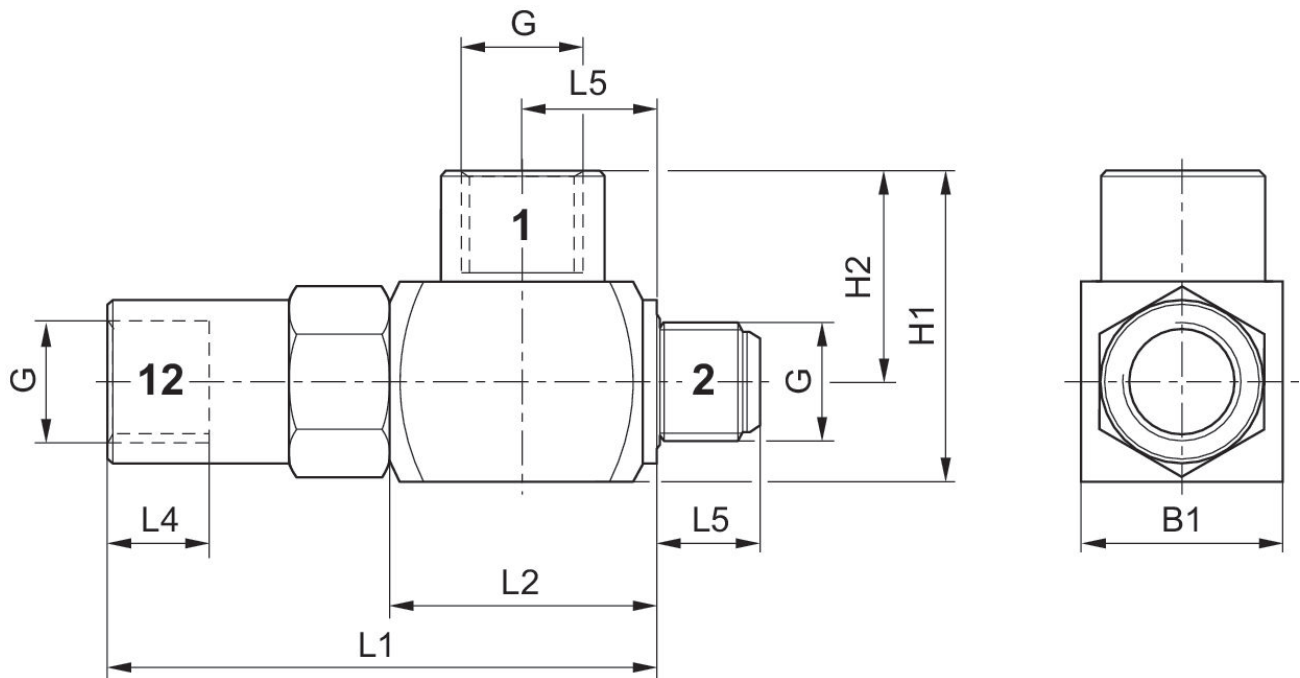
Housing material
nickel-plated

Seal material
Acrylonitrile butadiene rubber

Part No.
0821003076

Technical information

Dimensions



Part No.	Port G	L1	L2	L3	L4	L5	H1	H2	B1
0821003075	G 1/8	50.5	25.4	12.7	8	7.5	24.5	16	17
0821003076	G 1/4	59.6	29	14.5	12	11.4	34	23	22

Part No.	SW
0821003075	15
0821003076	18