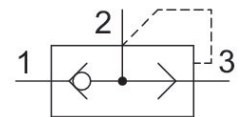
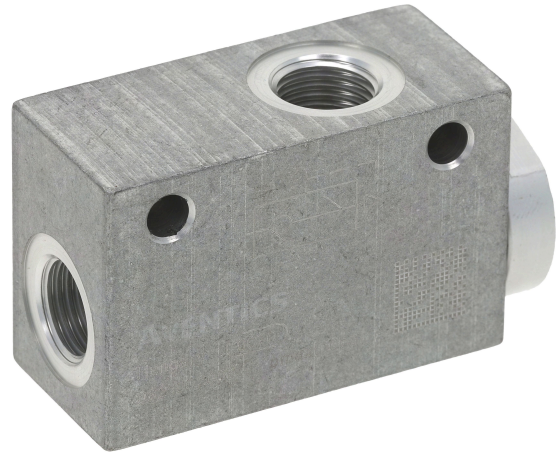


0821002004

## AVENTICS Quick exhaust valves

AVENTICS Series Quick Exhaust valves are pneumatic quick exhaust valves with aluminium or polymer bodies. They speed the exhausting of air cylinders, clutches or other pneumatic devices. Sensitive with a large internal air passages exhaust air quickly for top speed of your operation and benefits of a special diaphragm design that eliminates chattering associated with exhaust valves.



## Technical data

Industry	Industrial
Type	Poppet valve
Medium	Compressed air
Compressed air connection input	G 3/8
Compressed air connection type 1	Internal thread
Compressed air connection 2	G 3/8
Compressed air connection type 2	Internal thread
Port 3 (Exhaust)	G 3/8
Compressed air connection type 3	Internal thread
Nominal flow Qn 1 to 2	2050 l/min
Nominal flow Qn 2 to 3	2050 l/min
Min. working pressure	0.5 bar
Max. working pressure	10 bar
Min. ambient temperature	0 °C
Max. ambient temperature	80 °C
Min. medium temperature	0 °C
Max. medium temperature	80 °C
Weight	0.12 kg
Housing material	Aluminum

# Quick exhaust valve

2023-11-28

0821002004

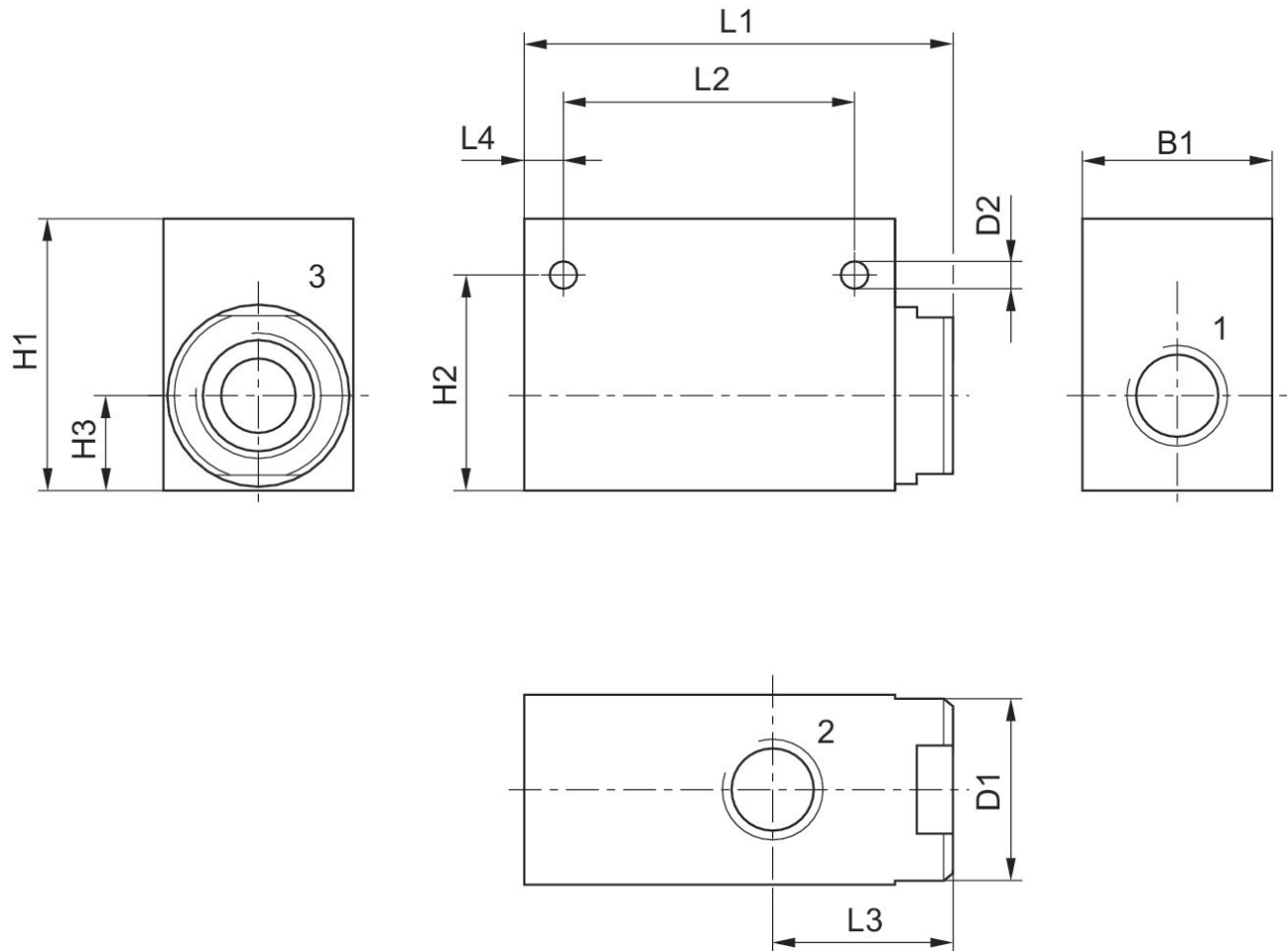
Seal material

Acrylonitrile butadiene rubber

Part No.

0821002004

## Dimensions



Part No.	Port 1	Port 2	Port 3	B1	D1	D2	H1	H2	H3
0821002003	G 1/4	G 1/4	G 3/8	25	25	5.5	36	30.2	13.2
0821002004	G 3/8	G 3/8	G 3/8	25	25	5.5	42	30.2	13.2

L1	L2	L3	L4
62	38	26	8.5
62	38	26	8.5