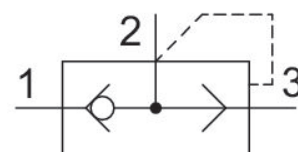
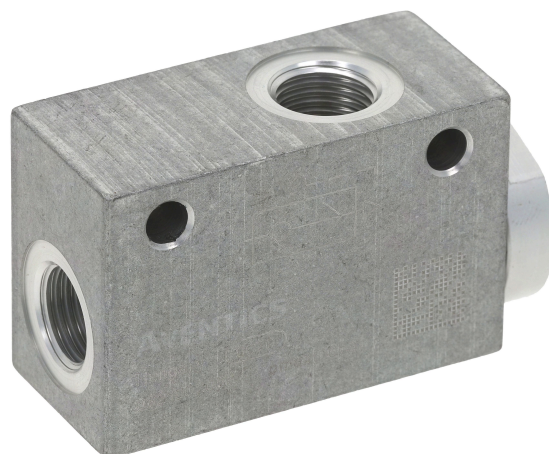


Quick exhaust valve

0821002003

General series information
AVENTICS Quick exhaust valves

- AVENTICS Series Quick Exhaust valves are pneumatic quick exhaust valves with aluminium or polymer bodies. They speed the exhausting of air cylinders, clutches or other pneumatic devices. Sensitive with a large internal air passages exhaust air quickly for top speed of your operation and benefits of a special diaphragm design that eliminates chattering associated with exhaust valves.



Technical data

Industry

Industrial

Type

Poppet valve

Medium

Compressed air

Compressed air connection input

G 1/4

Compressed air connection type 1

Internal thread

Compressed air connection 2

G 1/4

Compressed air connection type 2

Internal thread

Port 3 (Exhaust)

G 3/8

Compressed air connection type 3

Internal thread

Nominal flow Qn 1 to 2

1000 l/min

Nominal flow Qn 2 to 3

2050 l/min

Working pressure min.

0.5 bar

Working pressure max

10 bar

Min. ambient temperature

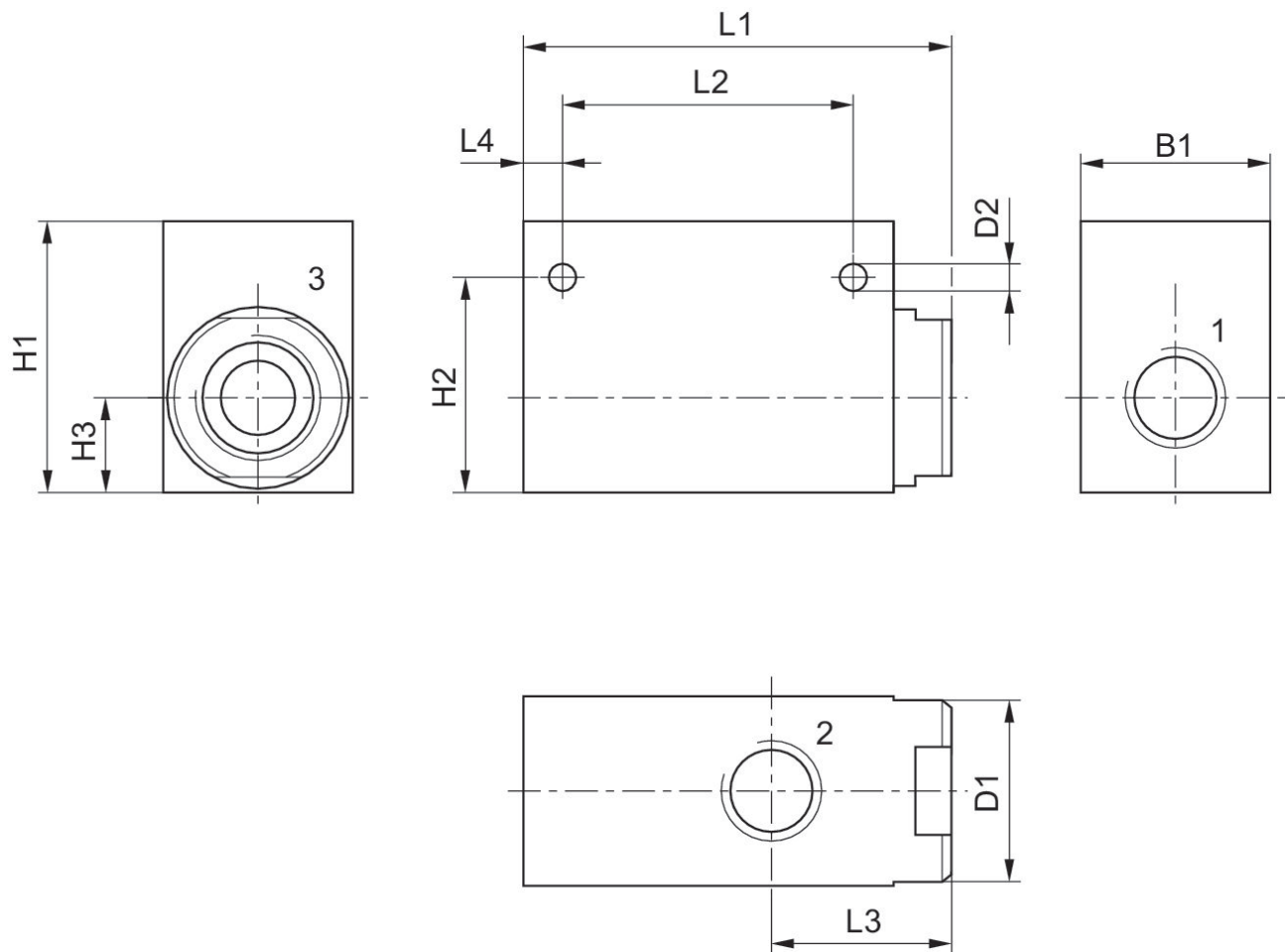
0 °C

Max. ambient temperature

80 °C

Min. medium temperature	0 °C
Max. medium temperature	80 °C
Weight	0.11 kg
Housing material	Aluminum
Seal material	Acrylonitrile butadiene rubber
Part No.	0821002003

Dimensions



Part No.	Port 1	Port 2	Port 3	B1	D1	D2	H1	H2	H3
0821002003	G 1/4	G 1/4	G 3/8	25	25	5.5	36	30.2	13.2
0821002004	G 3/8	G 3/8	G 3/8	25	25	5.5	42	30.2	13.2

L1	L2	L3	L4
62	38	26	8.5
62	38	26	8.5