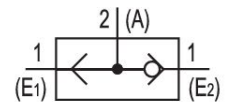


Shuttle valves (OR)



Technical data

Industry	Industrial
Sealing principle	Soft seal
Type	Poppet valve
Medium	Compressed air
Max. particle size	5 µm
Min. ambient temperature	0 °C
Max. ambient temperature	80 °C
Min. medium temperature	0 °C
Max. medium temperature	80 °C
Min. oil content of compressed air	0 mg/m ³
Max. oil content of compressed air	1 mg/m ³
Logic function	Shuttle valves (OR)
Connection type	Pipe connection
Compressed air connection input	G 3/4
Compressed air connection output	G 3/4
Nominal flow Q _n	4800 l/min
Min. working pressure	1 bar
Max. working pressure	10 bar
Weight	0.51 kg

Shuttle valves (OR)

0821000014

Logic valves

2024-06-10

Housing material	Aluminum
Seal material	Acrylonitrile butadiene rubber
Material threaded bushing	Aluminum
Part No.	0821000014

Technical information

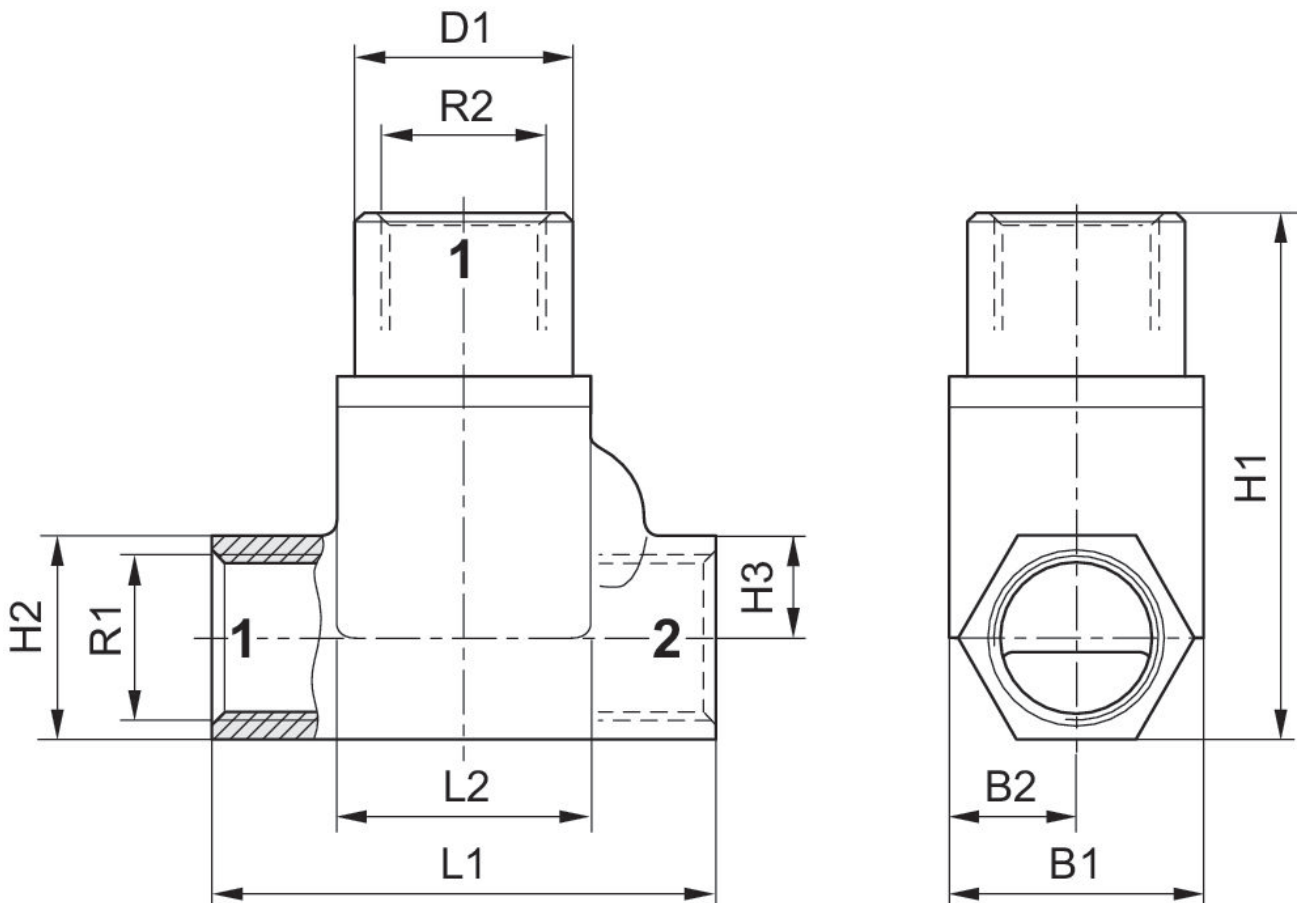
The min. control pressure must be adhered to, since otherwise faulty switching and valve failure may result!

The pressure dew point must be at least 15 °C less than ambient and medium temperature and may not exceed 3 °C.

The oil content of compressed air must remain constant during the life cycle.

Use only the approved oils from AVENTICS. Further information can be found in the "Technical information" document (available in <https://www.emerson.com/en-us/support>).

Dimensions



Shuttle valves (OR)

0821000014

Logic valves

2024-06-10

Part No.	R1	R2	D1	L1	L2	H1	H2	H3	B1
0821000014	G 3/4	G 3/4	44	100	51	107	41	20.5	50
0821000015	G 1	G 1	44	100	51	107	41	20.5	50

Part No.	B2
0821000014	25
0821000015	25