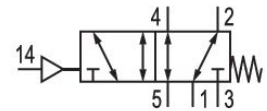
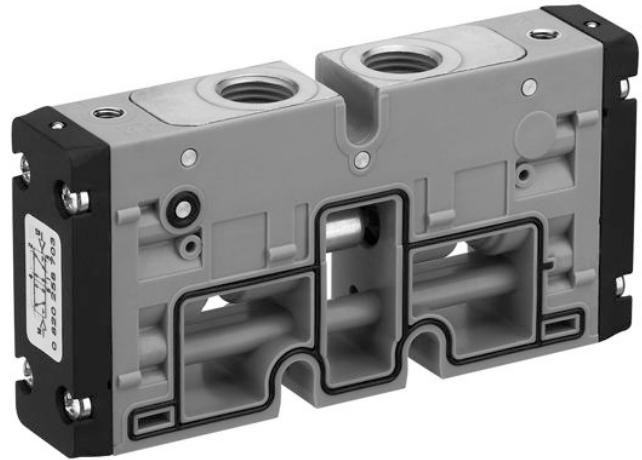


AVENTICS Series TC15 Directional valves

The AVENTICS Series TC15 valve system is the perfect choice for applications calling for lightweight valves with high flow rate in a small space. With valves operated either pneumatically or electrically, the valve system can be modularly expanded to up to 12 valves. Valves can be exchanged without dismantling the valve block.

- $Q_n = 1100 \text{ l/min} \dots 1500 \text{ l/min}$
- 2x3/2, 5/2, 5/3 Spool valves with polyamide housing
- Pneumatic connection G1/4, 1/4-18 NPTF
- Working pressure min./max. -0.9/10 bar
- Voltage 12 V DC, 24 V DC, 24 V AC, 110 V AC, 230 V AC
- Electrical connection ISO form C, M8 3-pin; M8 4-pin



Technical data

Industry	Industrial
Activation	Pneumatically
Valve type	Spool valve, positive overlapping
Switching principle	5/2, with spring return
Sealing principle	Soft seal
Connection type	Plate connection Pipe connection
Compressed air connection input	G 1/4
Compressed air connection output	G 1/4
Compressed air connection, exhaust	G 1/4
Compressed air connection pilot input	M5
Nominal flow Q_n	1500 l/min
Flow conductance b	0.33
Flow conductance C	6.8 l/(s*bar)
Min. working pressure	3 bar
Max. working pressure	10 bar

5/2-directional valve, Series TC15

0820258702

Series
TC15

2025-12-18

Min. control pressure	3 bar
Max. control pressure	10 bar
Pilot	External
Blocking principle	Plate principle
Min. ambient temperature	-10 °C
Max. ambient temperature	50 °C
Min. medium temperature	-10 °C
Max. medium temperature	50 °C
Medium	Compressed air
Min. oil content of compressed air	0 mg/m ³
Max. oil content of compressed air	1 mg/m ³
Max. particle size	5 µm
Rail mounting DIN EN 60715	TH35 x 15
Weight	0.159 kg

Material

Housing material	Polyamide, fiber-glass reinforced
Seal material	Acrylonitrile butadiene rubber
Material, front cover	Polyamide, fiber-glass reinforced
Material threaded bushing	Brass Die cast zinc
Surface threaded bushing	chrome-plated nickel-plated
Part No.	0820258702

Technical information

The min. control pressure must be adhered to, since otherwise faulty switching and valve failure may result!

The pressure dew point must be at least 15 °C less than ambient and medium temperature and may not exceed 3 °C.

The oil content of compressed air must remain constant during the life cycle.

Use only the approved oils from AVENTICS. Further information can be found in the "Technical information" document (available in <https://www.emerson.com/en-us/support>).

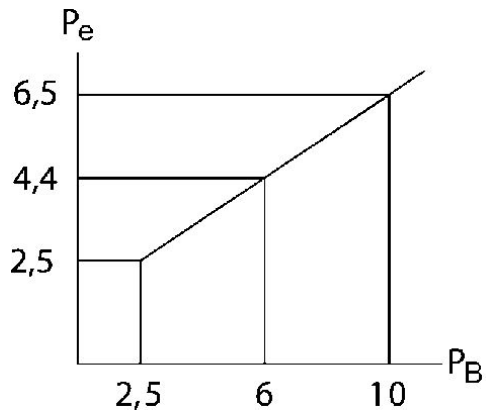
5/2-directional valve, Series TC15

0820258702

Series
TC15

2025-12-18

Control pressure



P_e = external control pressure, min.
 P_B = Working pressure