

Multipole plug, series CON-MP

0493871505

Multipole plug with cable, series CON-MP

- Multipole plug connectors with connected cable
- Valve system control, D-Sub plug



Technical data

Industry
Industrial

Type
Multipole

Cable
with cable

Operational voltage
24 V DC

Operating voltage AC max.
24 V DC

Electrical connection 1, type
Socket

Electrical connection 1, thread size
C/2

Electrical connection 1, number of poles
48-pin

Cable exit
angled

Cable exit angle
45°

Electrical connection 2, type
open cable ends

Electrical connection 2, number of poles
48-pin

Number of wires
40

Shielding
unshielded

Cable length
15 m

Protection class
IP69K

Min. ambient temperature
0 °C

Max. ambient temperature
50 °C

Max. current
3 A

Wire cross-section
0.34 mm²

Cable-Ø
13.5 mm

Weight
4.277 kg

Material

Housing material
Polyamide

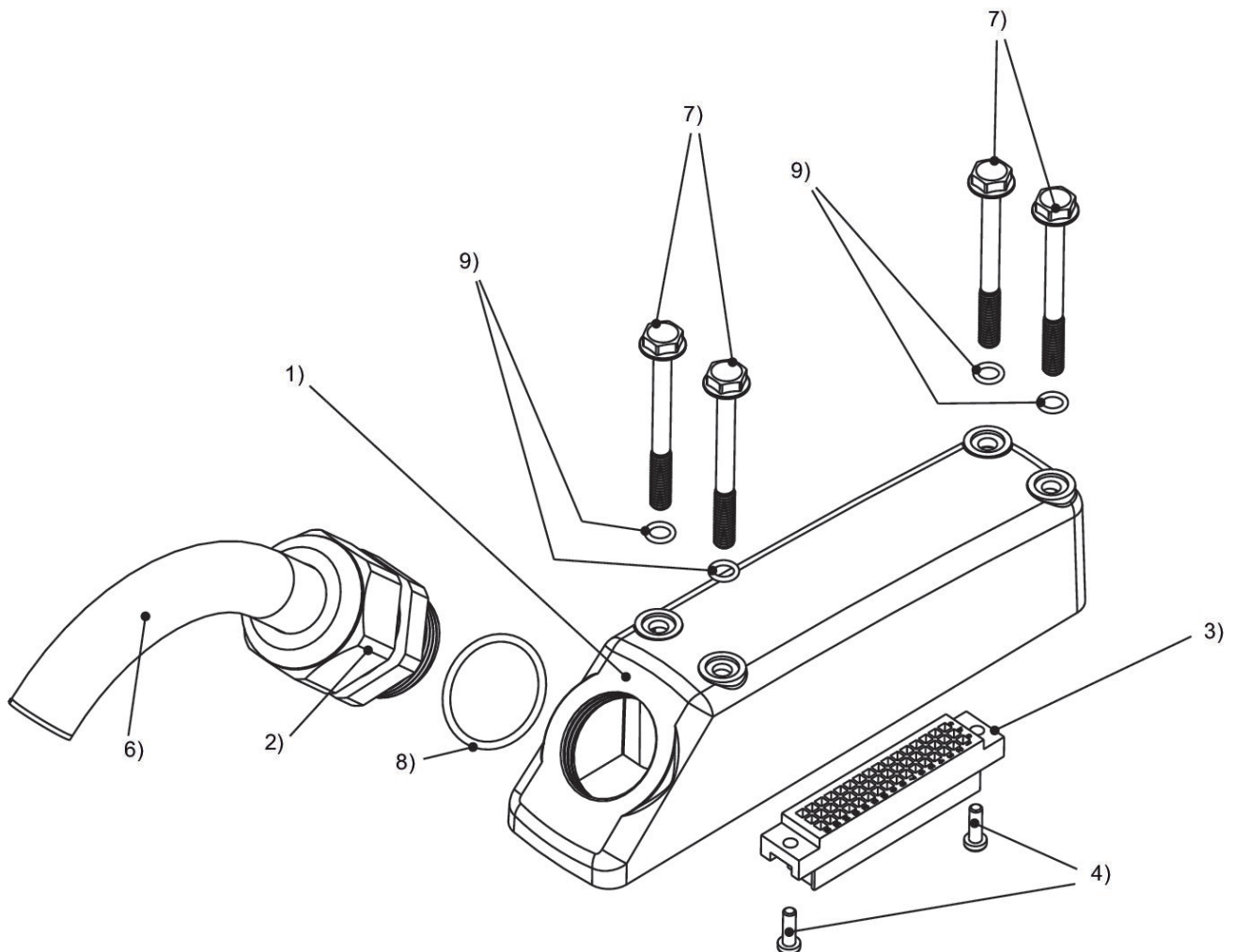
Part No.
0493871505

Material cable sheath
Polyvinyl chloride

Technical information

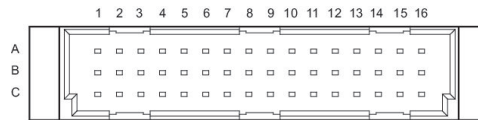
The specified protection class is only valid in assembled and tested state.
max. 16 valves

Dimensions



1) housing 2) cable gland 3) connector housing size C/2 4) screw 5) seal 6) cable 7) screw 8) seal 9) seal

PIN assignment and cable colors



PIN assignment and cable colors, 48-pin

| Pin Color | A | B | C |
|-----------|--------------|--------------|--------------|
| 1 | not assigned | white | brown |
| 2 | red/blue | green | yellow |
| 3 | white/blue | gray | pink |
| 4 | brown/blue | red | black |
| 5 | green/blue | violet | gray/pink |
| 6 | yellow/blue | white/green | brown/green |
| 7 | gray/blue | white/yellow | yellow/brown |
| 8 | pink/blue | white/gray | gray/brown |
| 9 | blue | white/pink | pink/brown |
| 10 | not assigned | white/red | brown/red |
| 11 | not assigned | white/black | brown/black |
| 12 | not assigned | gray/green | yellow/gray |
| 13 | not assigned | pink/green | yellow/pink |
| 14 | not assigned | green/red | yellow/red |
| 15 | not assigned | green/black | yellow/black |
| 16 | not assigned | gray/red | pink/red |