

Multipole plug, series CON-MP

0493871300

Multipole plug with cable, series CON-MP

- Multipole plug connectors with connected cable
- Valve system control, D-Sub plug



Technical data

Industry
Industrial

Type
Multipole

Cable
with cable

Operational voltage
24 V DC

Operating voltage AC max.
24 V DC

Electrical connection 1, type
Socket

Electrical connection 1, thread size
C/2

Electrical connection 1, number of poles
48-pin

Cable exit
angled

Cable exit angle
45°

Electrical connection 2, type
open cable ends

Electrical connection 2, number of poles
48-pin

Number of wires
40

Shielding
unshielded

Cable length
10 m

Protection class
IP69K

Min. ambient temperature
0 °C

Max. ambient temperature
50 °C

Max. current
3 A

Wire cross-section
0.34 mm²

Cable-Ø
13.5 mm

Weight
2.948 kg

Material

Housing material
Polyamide

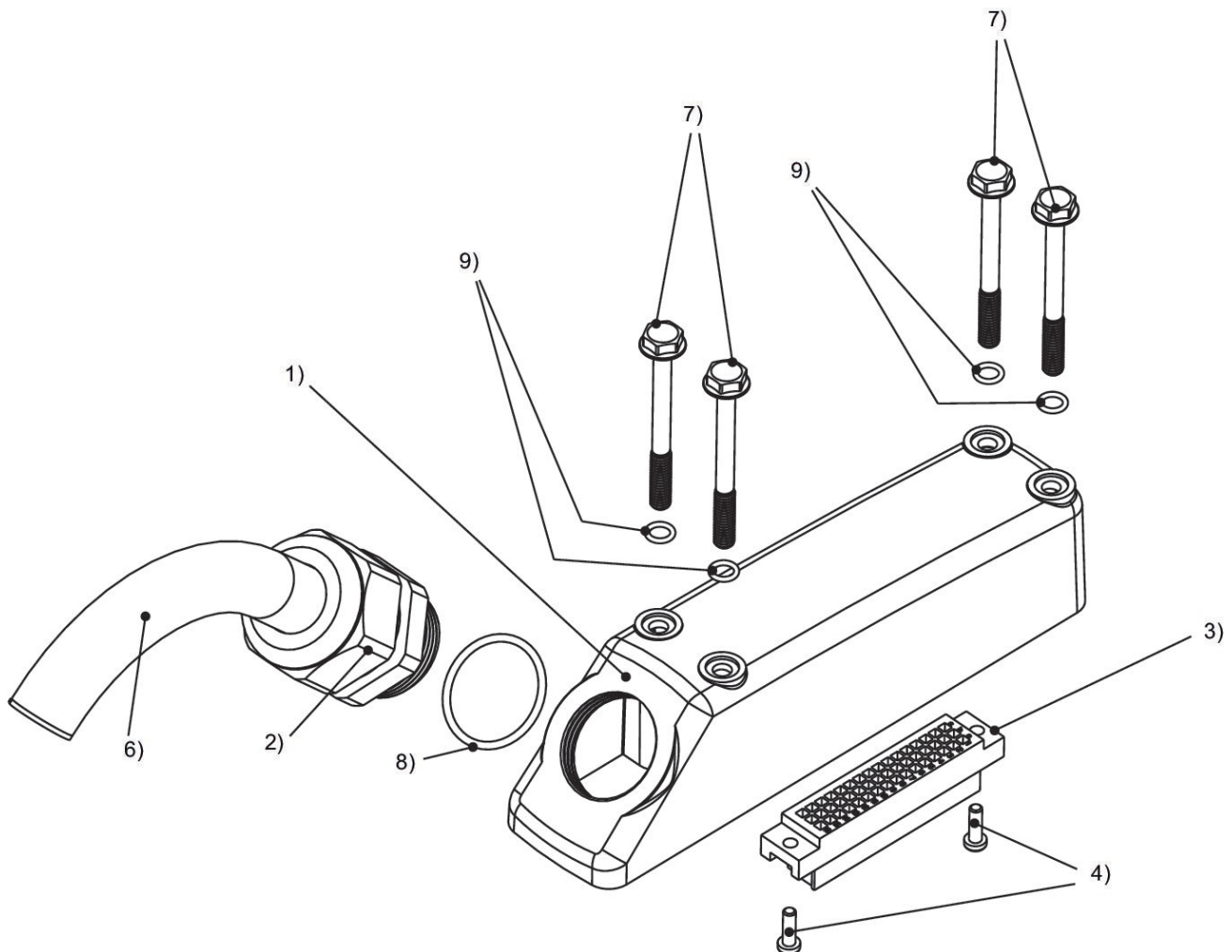
Part No.
0493871300

Material cable sheath
Polyvinyl chloride

Technical information

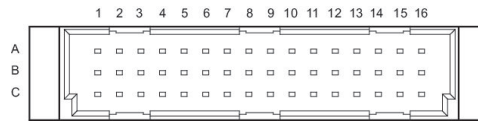
The specified protection class is only valid in assembled and tested state.
max. 16 valves

Dimensions



1) housing 2) cable gland 3) connector housing size C/2 4) screw 5) seal 6) cable 7) screw 8) seal 9) seal

PIN assignment and cable colors



PIN assignment and cable colors, 48-pin

Pin Color	A	B	C
1	not assigned	white	brown
2	red/blue	green	yellow
3	white/blue	gray	pink
4	brown/blue	red	black
5	green/blue	violet	gray/pink
6	yellow/blue	white/green	brown/green
7	gray/blue	white/yellow	yellow/brown
8	pink/blue	white/gray	gray/brown
9	blue	white/pink	pink/brown
10	not assigned	white/red	brown/red
11	not assigned	white/black	brown/black
12	not assigned	gray/green	yellow/gray
13	not assigned	pink/green	yellow/pink
14	not assigned	green/red	yellow/red
15	not assigned	green/black	yellow/black
16	not assigned	gray/red	pink/red