

# Multipole plug, series CON-MP

0493871009

Multipole plug with cable, series CON-MP

- Multipole plug connectors with connected cable
- Valve system control, D-Sub plug



## Technical data

Industry  
Industrial

Type  
Multipole

Cable  
with cable

Operational voltage  
24 V DC

Operating voltage AC max.  
24 V DC

Electrical connection 1, type  
Socket

Electrical connection 1, thread size  
C/2

Electrical connection 1, number of poles  
48-pin

Cable exit  
angled

Cable exit angle  
45°

Electrical connection 2, type  
open cable ends

Electrical connection 2, number of poles  
24-pin

Number of wires  
25

Shielding  
unshielded

Cable length  
5 m

Protection class  
IP69K

Min. ambient temperature  
0 °C

Max. ambient temperature  
50 °C

Max. current  
3 A

Wire cross-section  
0.34 mm<sup>2</sup>

Cable-Ø  
9.2 mm

Weight  
1 kg

## Material

Housing material  
Polyamide

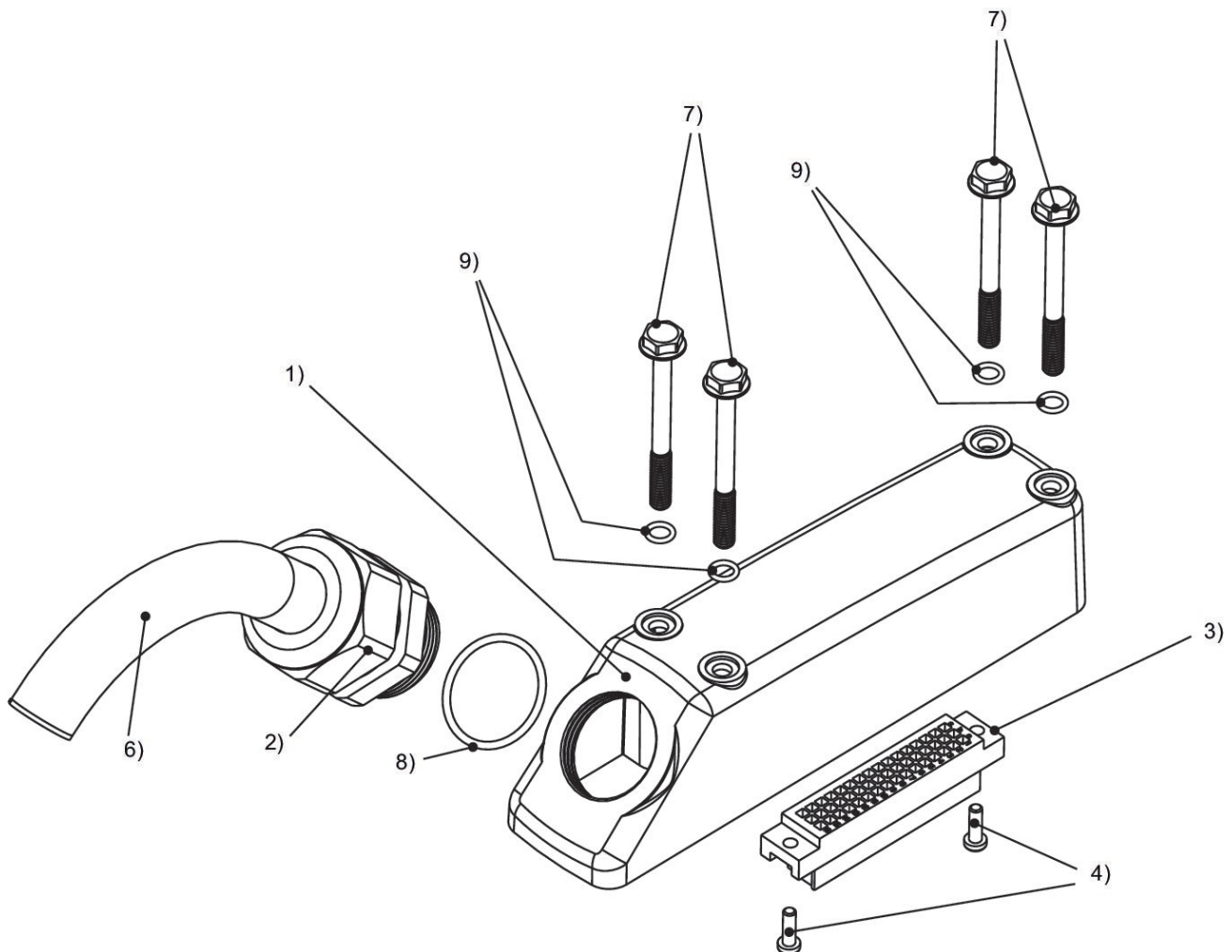
Material cable sheath  
Polyvinyl chloride

Part No.  
0493871009

## Technical information

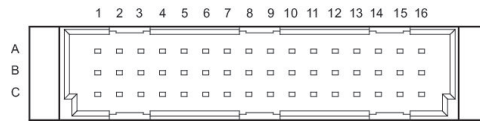
The specified protection class is only valid in assembled and tested state.  
max. 8 valves

## Dimensions



1) housing 2) cable gland 3) connector housing size C/2 4) screw 5) seal 6) cable 7) screw 8) seal 9) seal

## PIN assignment and cable colors



## PIN assignment and cable colors, 24-pin

Pin Color	A	B	C
1	blue	white	brown
2	red/blue	green	yellow
3	white/pink	gray	pink
4	pink/brown	red	black
5	white/blue	violet	gray/pink
6	brown/blue	white/green	brown/green
7	white/red	white/yellow	yellow/brown
8	brown/red	white/gray	gray/brown