

## AVENTICS Series 581 - Size 1 Standardized valves

The AVENTICS series 581 complies with the ISO 5599-1 valve standard. Due to the high degree of modularity, the series offers all valve functions, integrated throttle valves, various pilot coils and an extensive range of accessories. Qn = 950 ... 1400 l/min



### Technical data

Industry	Industrial
Activation	Electrically
Min. working pressure	0 bar
Max. working pressure	10 bar
Operational voltage	24 V DC
Operational voltage DC	24 V
Manual override	without detent
Pilot valve width	15 mm
Power consumption DC	2 W
Power consumption	Low power consumption
Min. ambient temperature	-10 °C
Max. ambient temperature	50 °C
Medium	Compressed air
Protection class with connection	IP65
LED status display	Green
Duty cycle	100 %
Weight	0.04 kg
Part No.	0493833502

## Technical information

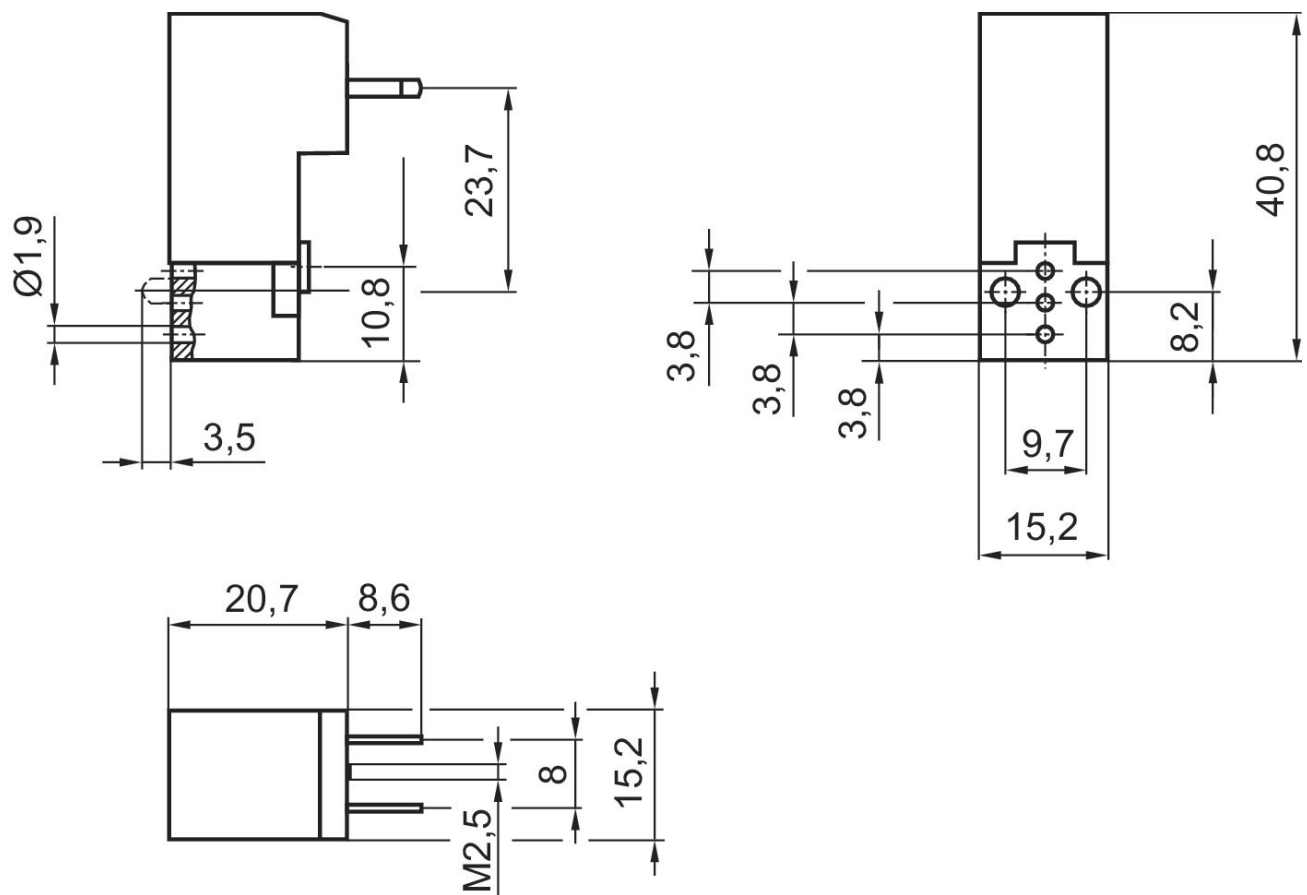
The min. control pressure must be adhered to, since otherwise faulty switching and valve failure may result!

The pressure dew point must be at least 15 °C less than ambient and medium temperature and may not exceed 3 °C.

The oil content of compressed air must remain constant during the life cycle.

Use only the approved oils from AVENTICS. Further information can be found in the "Technical information" document (available in <https://www.emerson.com/en-us/support>).

Fig. 2

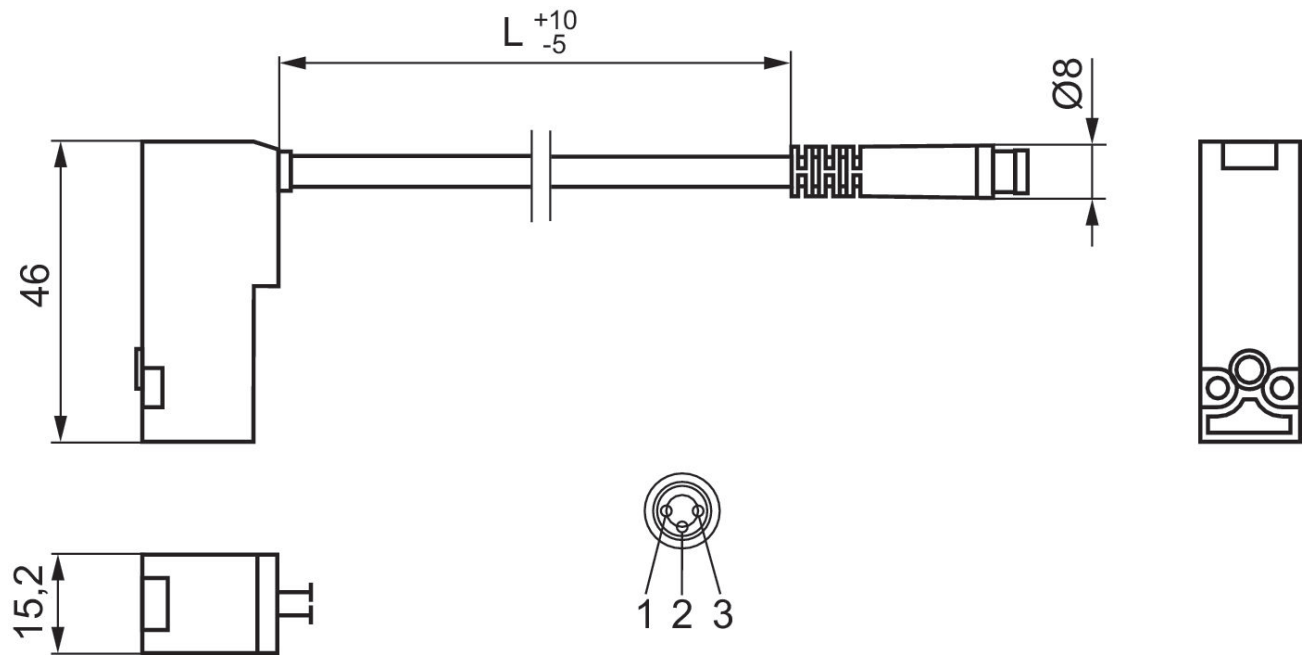


# Pilot valve

2023-11-28

0493833502

Fig. 1



Pin assignment 1) +24 V 2) ground 3) 0 V